



REORDER NUMBER:

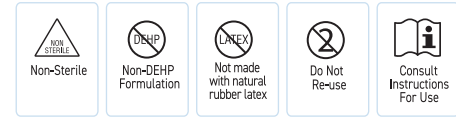
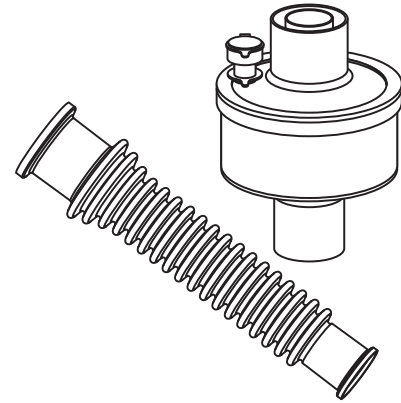
## RTG-01001

### RespVent™ HMEF1000

#### Heat Moisture Exchanger with Integrated Bacteria Viral Filter, Sampling Port & Flex Tube

#### RxOnly

Caution: Federal law (USA)  
restricts this device to use by  
or at the direction of a physician



Clean, Ready to Use  
For Single Patient Use

#### INSTRUCTIONS FOR USE

Read these instructions carefully before using the product. Place the *RespVent™ HMEF1000* between the proximal end of the artificial airway and the Y-piece of the breathing circuit. Always replace the *RespVent™ HMEF1000* after each patient. When used continuously on a single patient, change the *RespVent™ HMEF1000* every 24 hours or more frequently as required.

**Warning:** The *RespVent™ HMEF1000* is designed for single patient use only and must not be cleaned and reused.

#### CONTRAINDICATIONS

The *RespVent™ HMEF1000* is contraindicated in patients producing fulminating, frothy secretions within their airway and lungs. The *RespVent™ HMEF1000* shall not be used on patients with very small tidal volumes, for example, neonates. The *RespVent™ HMEF1000* shall not be used together with active humidifier or nebulizers.

#### PRECAUTIONS

All tubing and connections to the *RespVent™ HMEF1000* shall be properly attached and checked for leakage prior to use. Compensation of ventilation may be necessary when using the *RespVent™ HMEF1000* since dead space will be added to the system. During the use of the *RespVent™ HMEF1000*, the patient shall be closely monitored and proper airway care administered if complications arise. The *RespVent™ HMEF1000* must be changed between patients.

Recommended tidal volume	150-1000ml	
Pressure drop	at flow 30L/min 1.0 cm H <sub>2</sub> O	at flow 60L/min 2.8 cm H <sub>2</sub> O
Internal volume	105 ml	
Moisture loss	(per ISO 9360 test procedure)	
	Tidal Volume = 250 ml	7.8 mg H <sub>2</sub> O/L
	Tidal Volume = 500 ml	12.8 mg H <sub>2</sub> O/L
	Tidal Volume = 1000 ml	14.5 mg H <sub>2</sub> O/L

Filtration Efficiency	
Bacterial (%)	99.999%
Viral (%)	99.99%
Weight	33 g
Connections	15F - 22F/15M

STORAGE TEMPERATURE:  
-30°C/-22°F  
+40°C/+104°F

For more info

Telephone  
323-761-0035

E-mail  
info@rtghealth.com

www.rtghealth.com