

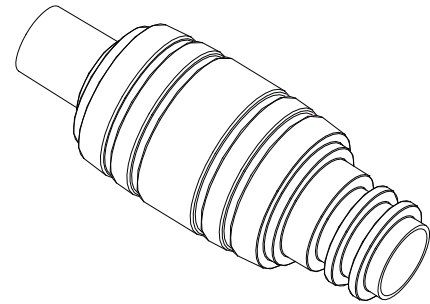


REORDER NUMBER:

RTG-01004

RespVent™ HME 1500

Heat and Moisture Exchanger 1500



Clean, Ready to Use
For Single Patient Use

RxOnly

Caution: Federal law (USA) restricts this device to use by or at the direction of a physician

INSTRUCTIONS FOR USE:

Change the HME every 24 hours or sooner if necessary.
Not for use with nebulizers or vaporizing humidifiers.

INDICATIONS:

The *RespVent™ 1500 HME* is indicated to provide heat and moisture by capturing expired heat and moisture and returning it to the patient's lungs via inspired gases.

CONTRAINDICATION:

The *RespVent™ 1500 HME* is contraindicated in patients producing fulminating, frothy secretions within their airways and lungs.
RespVent™ 1500 HME should not be used in conjunction with nebulizers or heated humidifiers.

SPECIFICATIONS:

Volume: 38 ml
Resistance: 1.0 cm H₂O at 30 L/min, 2.5 cm H₂O at 60 L/min
VP up to: 1500 ml

CAUTIONS:

Patient tubing and its connections to *RespVent™ 1500 HME* should be properly attached and checked for leakage prior to use.
During the use of *RespVent™ 1500 HME* the patient should be closely monitored and proper airway care undertaken if complications arise.

WARNING:

RespVent™ 1500 HME is designed use only and should not be cleaned and reused.
Compensation of ventilation may be necessary when using *RespVent™ 1500 HME* since it will add 38 ML of dead space to the system.

CONNECTION:

RespVent™ 1500 HME should be placed between the proximal end of the artificial airway and the Y-piece of the breathing circuit.

STORAGE TEMPERATURE:
-30°C/-22°F
+40°C/+104°F

For more info

 Telephone
| 323-761-0035

 E-mail
| info@rtghealth.com

 www.rtghealth.com