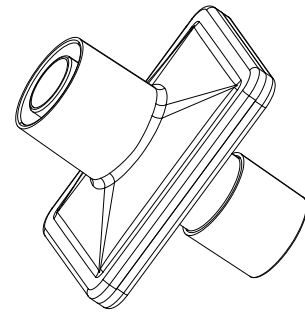




REORDER NUMBER:

## RTG-01100

# RespVent™ Universal Bacteria Viral Respiratory Filter



Clean, Ready to Use  
For Single Patient Use

### RxOnly

Caution: Federal law (USA) restricts this device to use by or at the direction of a physician

### INSTRUCTIONS FOR USE

Read these instructions carefully before using the product.

Place the RespVent™ Filter between the proximal end of the artificial airway and the Y-piece of the breathing circuit. Always replace the RespVent™ Filter after each patient. When used continuously on a single patient, change the RespVent™ Filter every 24 hours or more frequently as required.

### INTENDED USE:

The RespVent™ Filter is a disposable single-use device indicated for patient use during the delivery of ventilator gases. They provide filtration for reducing possible cross contamination between patient and equipment. The RespVent™ Filter is for use in hospital, ICU, anesthesia, respiratory therapy, during transport and with resuscitators. The RespVent™ Filter can be used on adult patients. The RespVent™ Filter is indicated for use by qualified medical personnel only. The RespVent™ Filter is designed for disposable use and should be changed as needed.

### CONTRAINDICATIONS

The RespVent™ Filter is contraindicated in patients producing fulminant, frothy secretions within their airway and lungs.

### PRECAUTIONS

All tubing and connections to the RespVent™ Filter shall be properly attached and checked for leakage prior to use. Before use, verify that the RespVent™ Filter has no occlusions and that air will flow through it. Compensation of ventilation may be necessary when using the RespVent™ Filter since dead space will be added to the system. During the use of the RespVent™ Filter, the patient shall be closely monitored and proper airway care administered if complications arise.

### WARNING:

The RespVent™ Filter is designed for single patient use only and must not be cleaned and reused.

Pressure drop	at flow 30L/min 0.8 cm H <sub>2</sub> O at flow 60L/min 1.6 cm H <sub>2</sub> O
Internal volume	35ml
Filtration Efficiency	
Bacterial (%)	99.999%
Viral (%)	99.99%
Weight	20 g
Connections	22M/15F - 22F/15M

Note: Measured by the method of Nelson Laboratories Inc. USA.

STORAGE TEMPERATURE:  
-30°C/-22°F  
+40°C/+104°F

For more info

Telephone  
323-761-0035

E-mail  
info@rtghealth.com

www.rtghealth.com